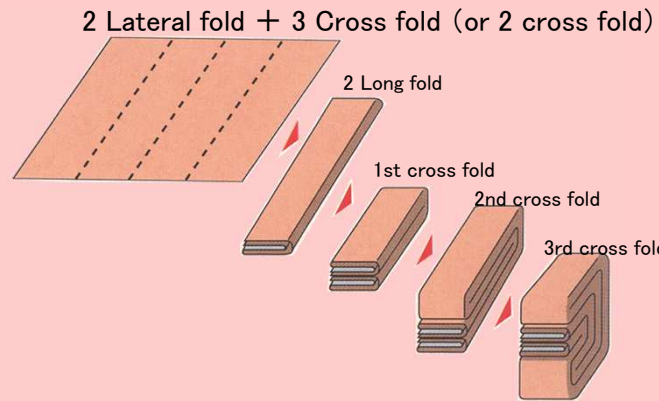


HIGH SPEED SHEET FOLDER WITH 4

SS1A-N4



SHEETS & DUVET COVER

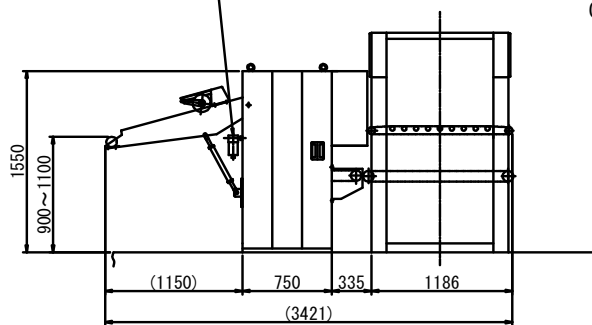


- Max. length of linen to be folded with 2 lateral fold is 3000mm (King spec is 3500mm)
- Max. length at 1st cross fold : 800mm (King spec is 1000mm)
- Min. width of linen for cross folding is 1100mm
- Max. Thickness on 3rd cross fold is 50mm

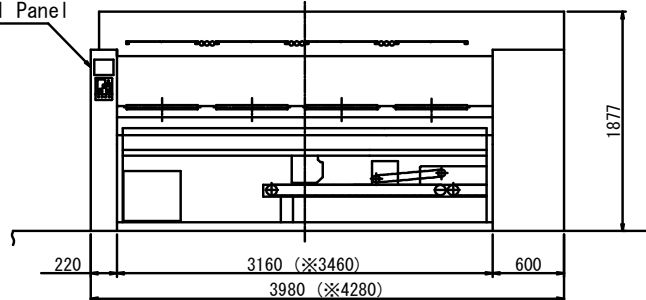
Power Supply	AC 200V 3P
Electric Capacity	2.71Kw
Air Pressure	0.5MPa
Air Consumption	210L/min
Conveyor speed	20~60(m/min)

NOTE 1, This drawing is a right-hand side model
A left-hand side model is symmetrical to this drawing
2, For better performances, specifications and dimensions are subject to change without notice.

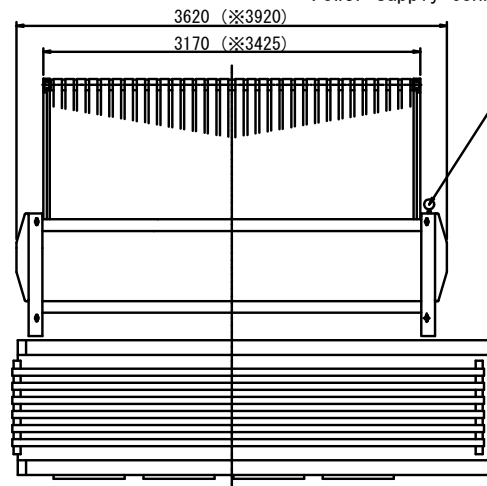
Air Supply Connection (1/2)
Power Supply Connection



Control Panel



Air Supply Connection (1/2)
Power Supply Connection



※For better performances, specifications and dimensions are subject to change without notice.

TOTO FOLDER MANUFACTURING CO., LTD.

Sales Agent

2-8-75, Yoshino-dai, Kawagoe-shi, Saitama 350-0833 Japan
Phone: +81-49-225-6125 Fax: +81-49-225-6127

4 DIVIDED STACKER IS POSSIBLE TO SORT THE SHEET

HIGH SPEED SHEET FOLDER WITH 4 STACKERS

SS1A-N4



TOTOFOLDER MANUFACTURING CO.,LTD.

HIGH SPEED SHEET FOLDER WITH 4 STACKERS

SS1A-N4

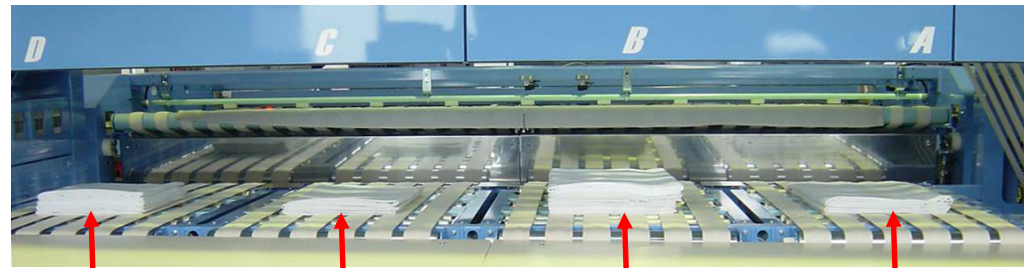
Feature

- 4 divided stacker is possible to sorting the sheets depending on the size.
- 2 Lateral folding and 3 cross folding is available.
- Even if the speed of the conveyer changes, the fold adjustment is unnecessary.
- Because all folding is done by knife, the sheet can be folded regardless of the thickness or hardness.
- Operation is very easy by touch screen.
- Anti-static electricity bar is equipped as standard.



4 divided stacker

4 divided stacker is possible to sorting the sheets depending on the size such as single, semi-double, double and king size.



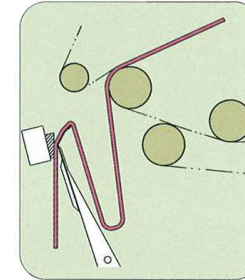
Single size Semi-double size Double size King size

The size setting of sorting can be arbitrarily set.

A > 1234 ≥ B > 1234 ≥ C > 1234 > D



Feature of lateral fold section.



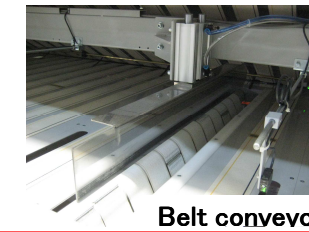
The sheets is folded at high speed by unique knife mechanism for lateral folding.

Because our original knife mechanism do 2 folding with one action, it is suitable for the high-speed processing. Because all folding is done by knife, the sheet can be folded regardless of the thickness or hardness.

Feature of Cross fold section.

◆ 1st cross fold section

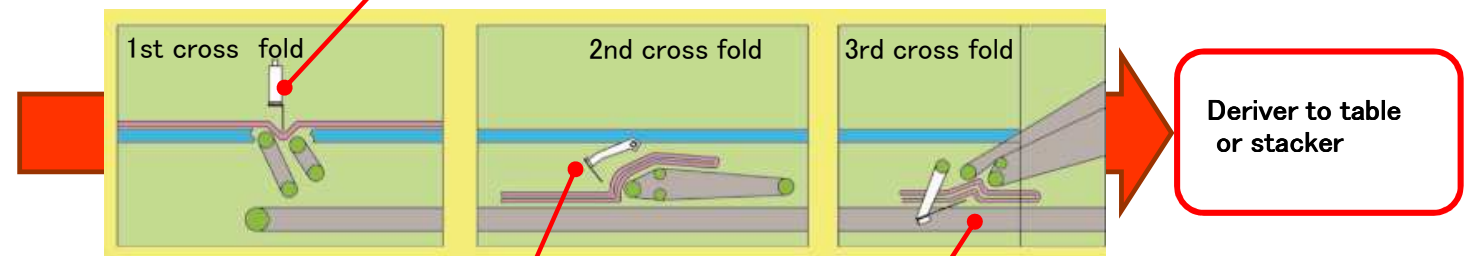
- Knife & belt conveyor system is adopted. The belt conveyor absorbs the thickness of goods, sheet can be folded regardless of the thickness or hardness. Maintenance can correspond by exchanging belts.



Belt conveyor

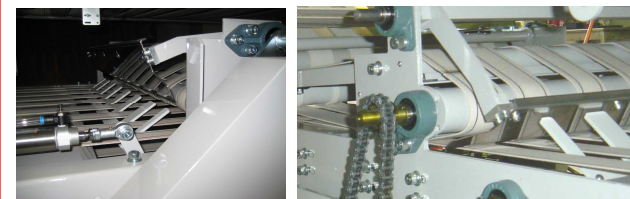


Knife



◆ 2nd cross fold section

- Knife and forward/reverse conveyor system is used for 2nd cross fold.



◆ 3rd cross fold section

- One board knife is adopted. Sheet can be folded regardless of the thickness or hardness.



8 inch colour touch panel

Large LCD touch panel is easy for sight and operation. Detail of trouble can be seen easily by photo and picture. Up to 20 programmes can be memorized. You can check every motor and sensor etc

