

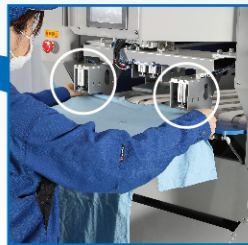
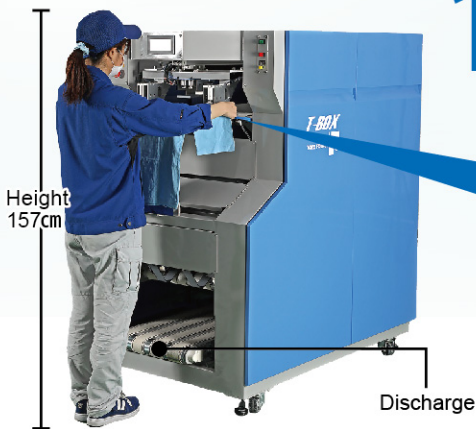
Folder for multiple kinds of garments

T-BOX

Easy Operation & Space saving



1 Very easy to beginners



● Shirt



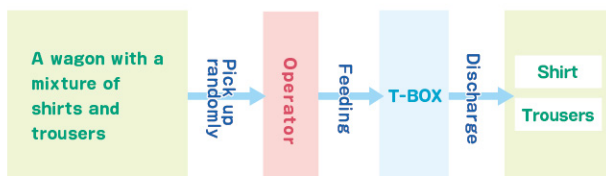
● Trousers

Very simple operation.
For a shirt, right and left shoulder portions need to be set at the feeding clamps.
For trousers, waist portion needs to be set at the clamps located at the center.
After setting, Garments will be automatically folded and discharged.

2 Shirts and trousers can be fed randomly

Shirts and trousers can be fed without changing the modes. T-BOX automatically determines the type and appropriately folds the items.

— Same feeding operations are applied to any modes —



※To be stacked in turn of feedings

3 Stacking function



Items are discharged to the front, they are picked up without extra actions. Discharges can be also made after stacking a few items.
※The number of stacked items can be set by modes.

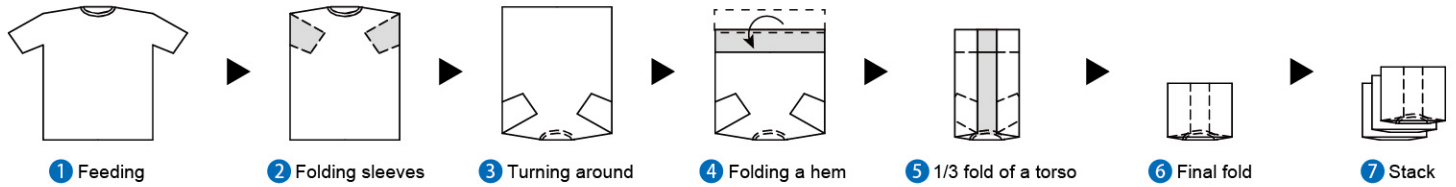
4 Processable of multiple types of garments

T-BOX folds various types of garments such as any types of shirts, sweat wears, thin sweaters, in-house cloths.

※The performance may vary depending on the materials.
Sample tests are recommended.

Example of folding

Image



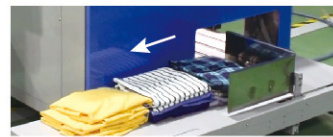
Shirt	<ul style="list-style-type: none"> • 1/3 fold in vertical direction (finished width: 230mm fixed) • 1/3 folds in horizontal direction • 1/3 fold in vertical direction (finished width: 230mm fixed) • 1/2 folds in horizontal direction 	Trousers	<ul style="list-style-type: none"> • 1/3 fold in vertical direction • 1/2 folds in horizontal direction (Max. length 700mm)
--------------	--	-----------------	---

Change of discharge

● Change of discharge



The standard discharge of T-BOX is front discharge. It can be changed to right side discharge or left side discharge.



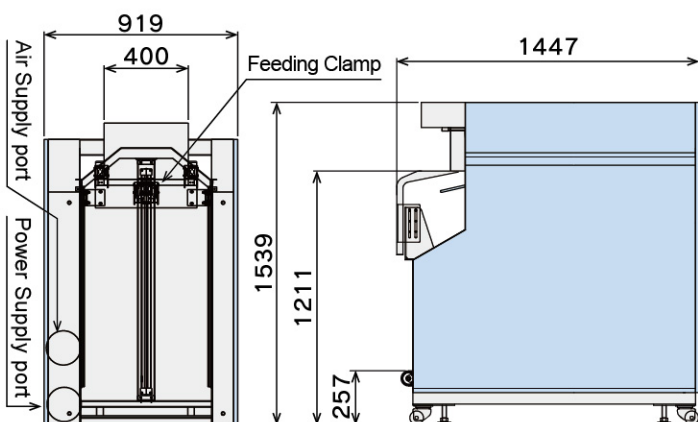
Possible to stock multiple items (Stock conveyor)

● Discharge to table



In side discharges, by installing Lift up conveyor, the discharge is changed to table discharge at the height of 800mm. Works like setting folded items with items not possible to be folded by a machine can be made on the table, which is good for private items processing.

Specifications



Model	T-BOX				
Power Supply	3Ph 200V				
Capacity	0.28kW				
Air Pressure	0.5MPa				
Air Consumption	100L/min				
Weight	580kg				
Target Items	Shirt	Torso width	Max. 680mm	Trousers	Max. 1000mm
		Length	Max. 1000mm		

※ For better performances, specifications such as dimensions and shapes are subject to change without prior notice.



Toto Folder Manufacturing Co., Ltd. <https://www.totofolder.jp/>

● Head Office

32-24 Maegami-cho, Kawaguchi-shi, Saitama-ken 333-0843 Japan
Phone: +81-(0)48-262-2838

● Kawagoe Plant

2-8-75 Yoshinodai, Kawagoe-shi, Saitama-ken 350-0833 Japan
Phone: +81-(0)49-225-6125