

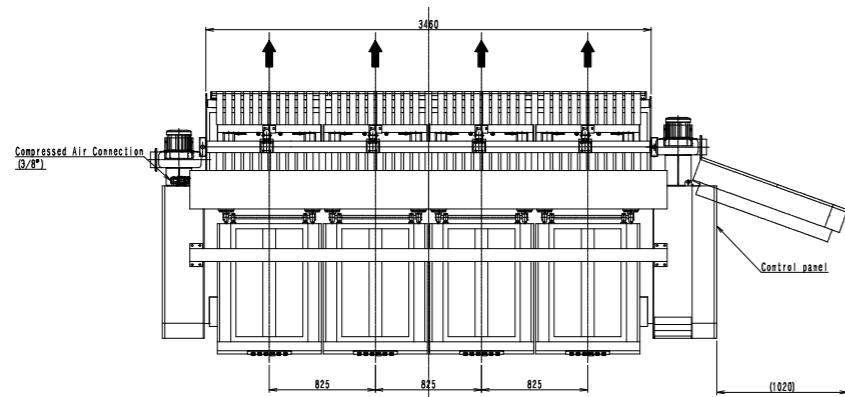
Feeder with Clamps exclusive for Pillow cases (Feeding by 4 people Work Width: 3300mm)



PCF-400-33 Specifications

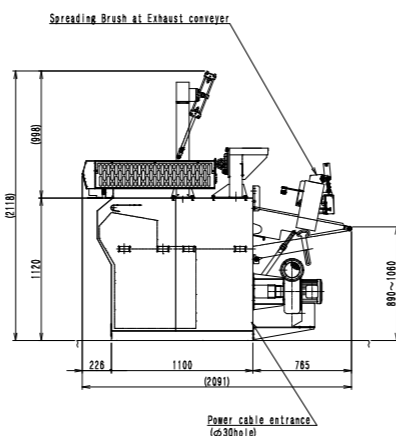
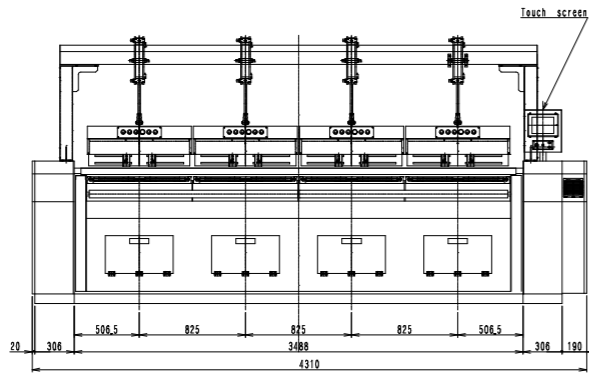
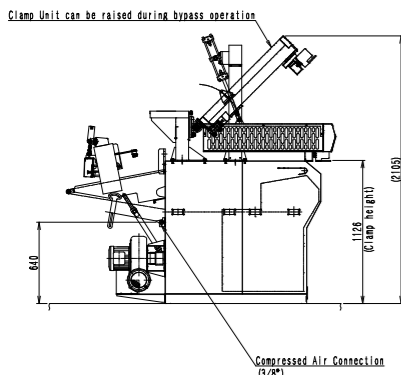
Features

- ◆ 32 types selectable clamp sizes
- ◆ Conveyor speed adjustable from 5 to 30m/min
- ◆ Speed Synchronization with Ironer
- ◆ Front Control (Linked operation with our other Folder machines)
- ◆ 10" color touch screen. (for Mode change, Parameter change, Error indication, I/O check, etc.)
- ◆ Number of Mode: 32 modes
- ◆ Clamp feeding and manual feeding are selectable at each lane

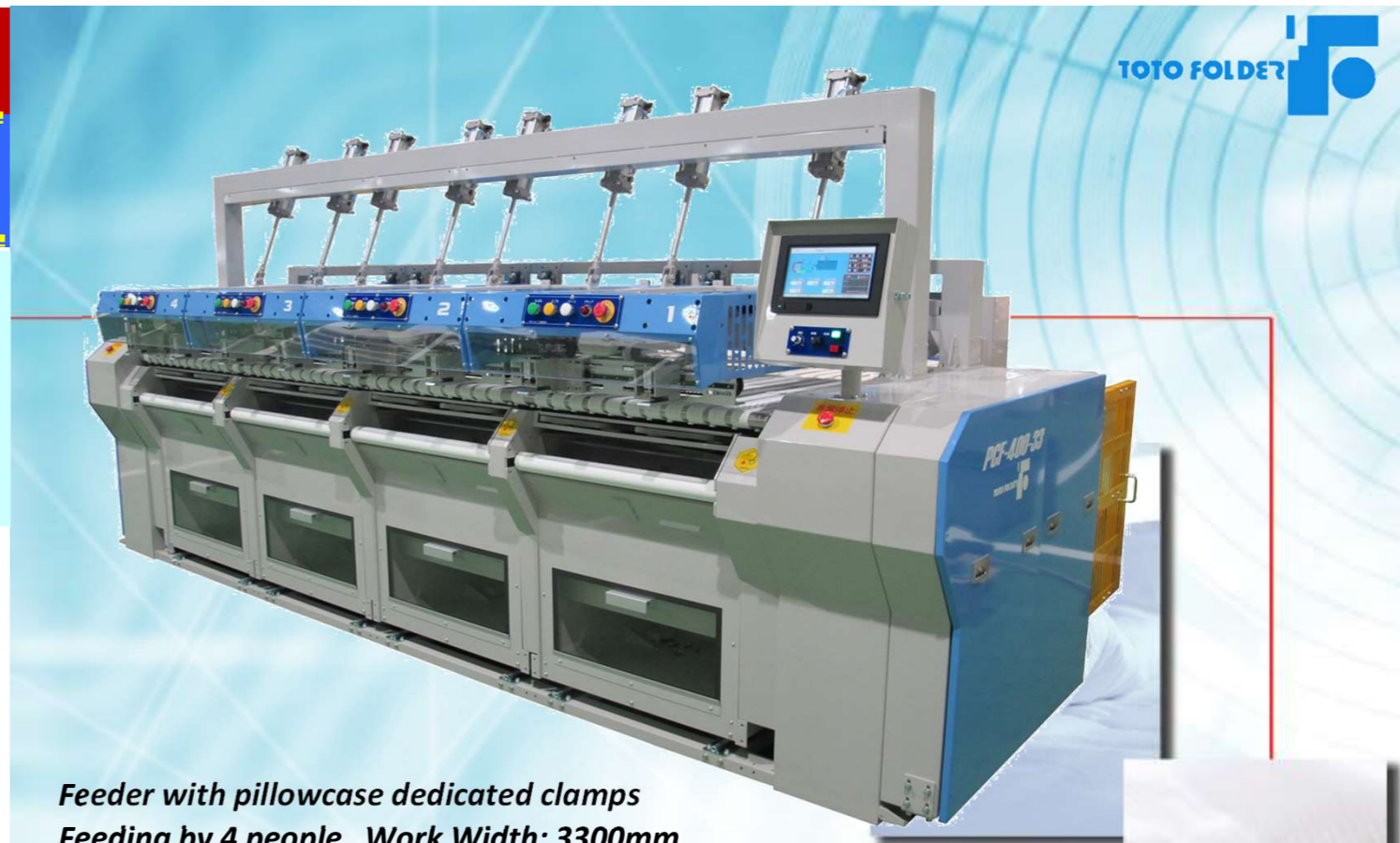


Specifications	
Conveyor speed	5m~30m
Power Supply	3phase AC200V
Electric capacity	0.1kW (40A)
Air Pressure	0.5MPa
Air consumption	40L/min
Available sizes (Φ1)	Each Lane (Max) width 200mm
	Each Lane (Min) width 450mm
Max capacity (Φ2)	Length
	pcs/line

(Φ1) Maximum Length varies depending on the conditions such as whether Folder works together or not, in what mode the operation is.
 (Φ2) Maximum capacity varies depending on Ironer speed and linen length.

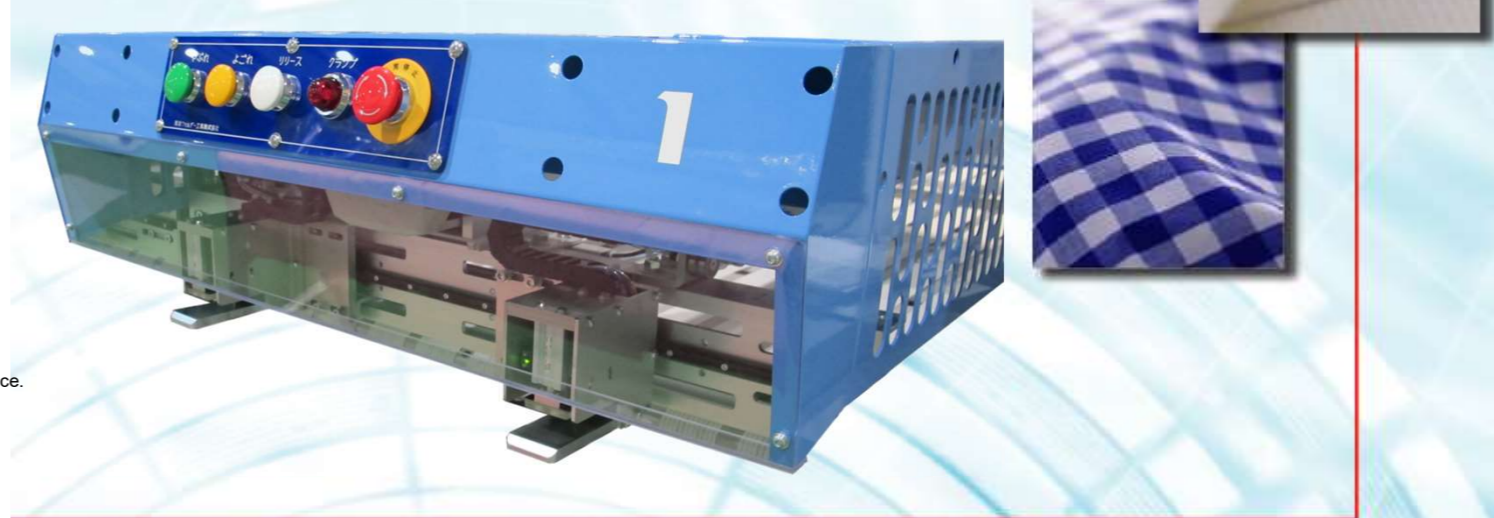


※Specifications and dimensions are subject to change without notice to improve performance.



Feeder with pillowcase dedicated clamps
Feeding by 4 people Work Width: 3300mm

PCF-400-33



TOTOFOLDER MANUFACTURING CO., LTD.

Distributor

32-24, Maegami, Kawaguchi, Saitama
 Phone: +81 (0)48-262-2838 Fax: +81 (0)48-262-2788
 ◇http://www.totofolder.jp/ ◇tf-main@totofolder.jp

TOTOFOLDER MANUFACTURING CO.,LTD.

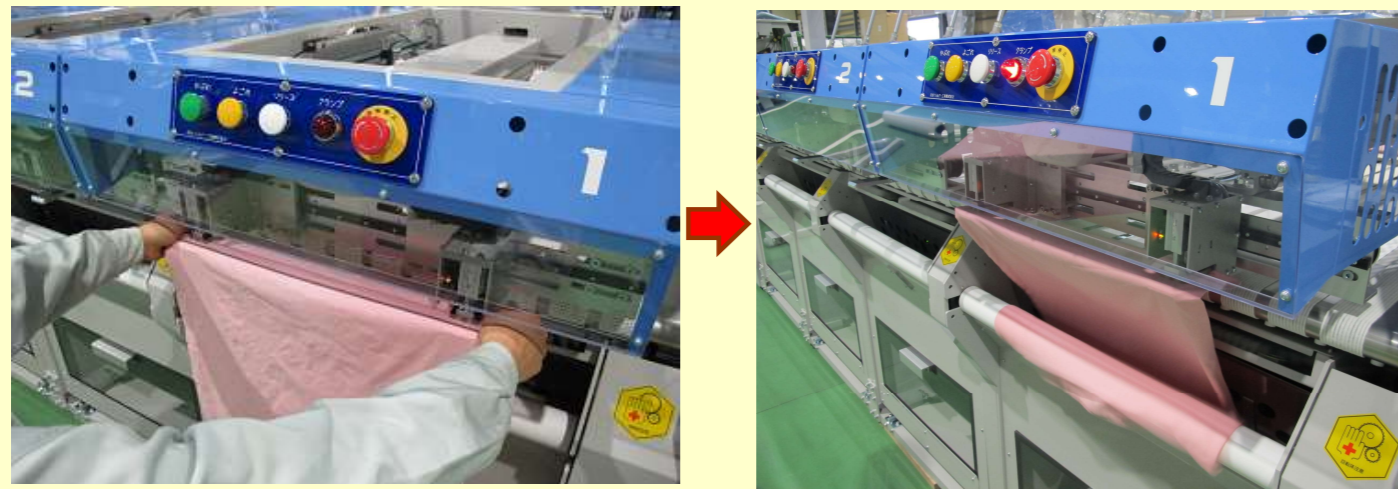
2017.10.17

PCF-400-33

Main Features of PCF-400-33 (1)

... Easy feeding by pinching pillowcases into Clamps only brings big productivity increases!

- ◆PCF-400 is the feeding machine for anyone to easily straighten wrinkles of pillowcases and put pillowcases straight into the machine.
- ◆Only pinching pillowcases into the clamps on both sides. You can move on to preparation for the next pillowcase immediately.



With conventional feeders, straightening wrinkles often hindered productivity. With our new feeder, after putting pillowcases into clamps, counting on the machine, you can immediately start preparation for the next pillowcase.

Main features of PCF-400-33 (3)

... 32 types of Clamp width can be set!

- ◆32 types of clamp width can be set. Various sizes of pillowcases are handled. ※The sizes could be set lane by lane individually.

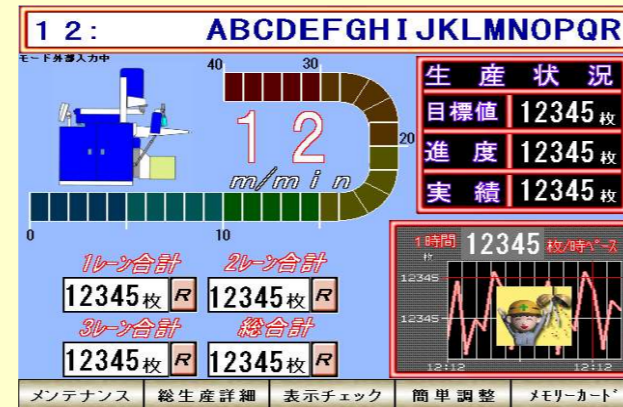


Clamp width can be set in 32 sizes.

Main Features of PCF-400-33 (4)

... Employment of 10" Color Touch Screen!

- ◆10" Color Touch Screen employed. Same functions as our sheet folder, like function useful for production control are equipped.

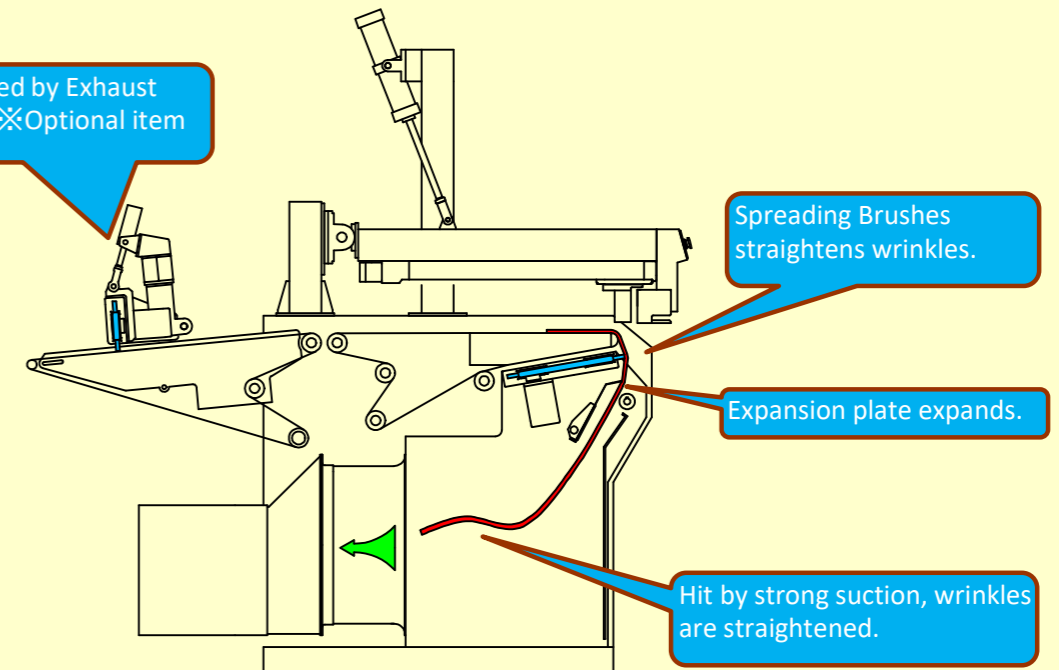


Main Features of PCF-400-33 (2)

... Wrinkle remove fuction improved !

- ◆Put into Clamps, pillowcases are sucked in to the Suction box and the wrinkles are removed. Moreover, they are beautifully shaped by brushes and expansion plate. ※Finishings vary depending on ways of cleaning and dehydrating.
- ◆Comparing with PVF series, Air flow is increased to almost double.

Wrinkles are removed by Exhaust Conveyer Brushes. ※Optional item



Main Features of PCF-400-33 (5) ... Bypass Function enhanced!

- ◆Bypass could be performed lane by lane. For example, manual feeding is made in one lane, while clamp feeding in another lanes. There are various methods of usage.
- ◆When clamp is in trouble, bypass feeding will be in operation and no damage to production. ※Being different from our PVF series, the bypass function for all lanes cannot use the suction function.

