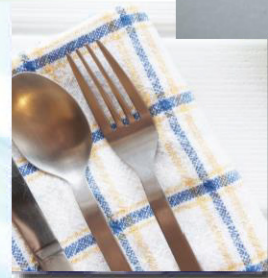
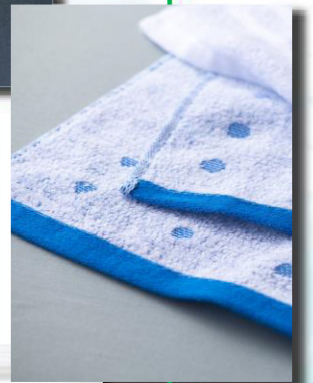


Wash Towel Stacker



NF-1FP

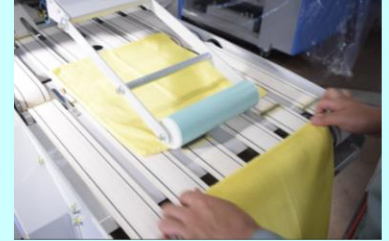


東都フォルダー工業 株式会社
TOTO FOLDER MANUFACTURING CO., LTD.

Specifications of NF-1FP

Features

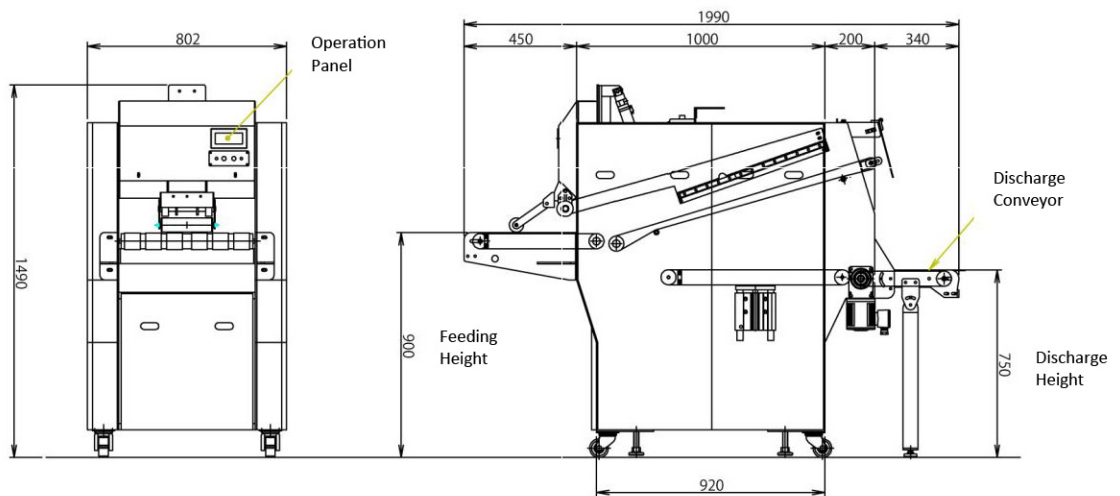
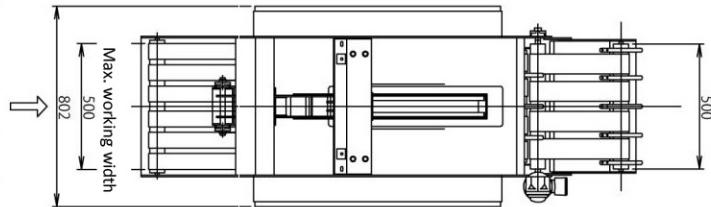
- ◆ By an operator simply putting towels on conveyor, wash towels are beautifully stacked.
- ◆ When wash towel quantity reaches the set number, they are automatically discharged.
- ◆ High productivity of high speed conveyor and original stacking technology bring high quality finishing.



Target items

- ◆ Max. size: W450 x L600mm
Examples: Wash towels, Napkins, Face towels and others
- ◆ Flat stacking Maximum 25 pieces (subject to thickness of an item)

Model	NF-1FP
Air Consumption	0.7MPa 120L/min
Electric Power	3Ph / 200V
Electric Capacity	0.48Kw
Output	1500枚/min



※For better performance, specifications and dimensions are subject to change without prior notice.

Toto Folder Manufacturing Co., Ltd.
<http://www.totofolder.jp/>

Head Office:

32-24 Maegami-cho, Kawaguchi-shi, Saitama-ken 333-0843 TEL +81-(0)48-262-2838

Kawagoe Plant:

2-8-75 Yoshino-dai, Kawagoe-shi, Saitama-ken 350-0833 TEL +81-(0)49-225-6125