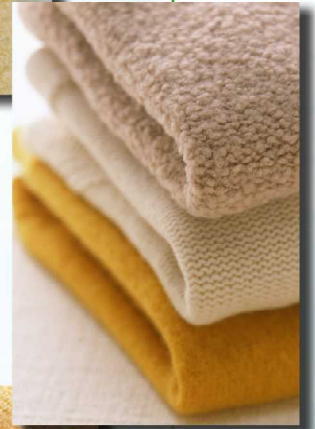
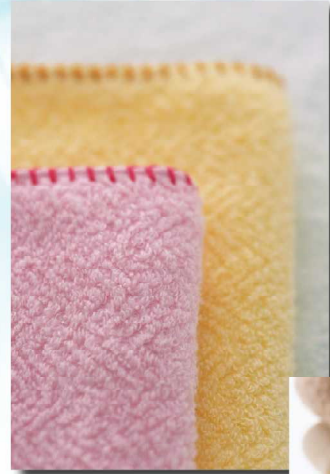


HIGH POWER & COMPACT TOWEL FOLDER!



COMPACT TOWEL FOLDER  
APPLICABLE TO CONVEYOR SYSTEM

**T2CP**



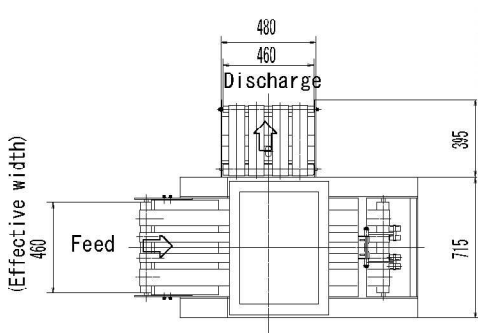
TOTO FOLDER MANUFACTURING CO., LTD.

# T2CP

## FEATURES

- More detailed adjustment such as timer setting can be made by operation panel newly designed.
- Selection of 2 fold and 4 fold is done easily by simple operation.
- To save your space, dimension of machine became shorter as compared with our conventional model.(for machine includes picking system)
- Thicker towel can be folded.  
(Confirmation for shape and material with actual sample is needed.)

Model Number	T2CP	
Dimensions	Width	1,110mm
	Length	1,395mm
	Height	1,310mm
Electric capacity	200VAC 3φ 0.5kW	
Air consumption	0.5MPa 30L/min	
Conveyor speed	35m/min	
Max. size of towel	450W x 1,000L	

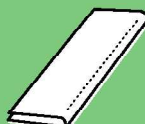


▼Operation Panel




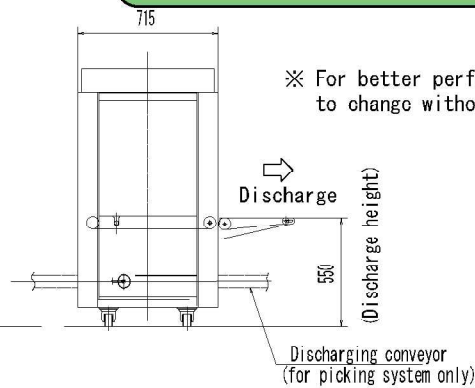
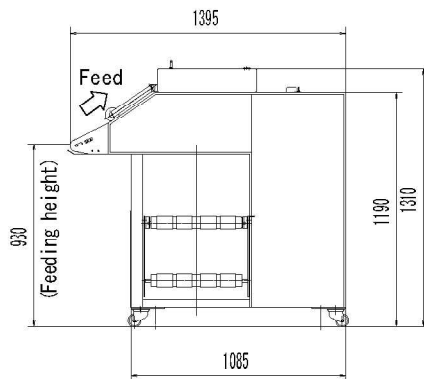
### Folding

2 fold = Bath mat



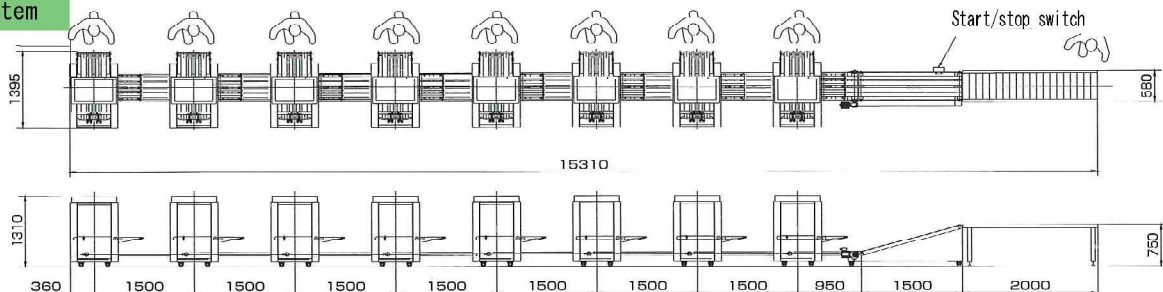
4 fold - Bath towel,  
Face towel, Sauna mat





※ For better performances, specifications are subject to change without prior notice.

An example of system



# TOTO FOLDER MANUFACTURING CO., LTD.

3730, IWATSUKI, IWATSUKI-KU, SAITAMA-CITY, SAITAMA PREF., SAITAMA, JAPAN

Phone: +81-48-757-0815

Fax: +81-48-758-2271

iwasetu@totofolder.jp www.totofolder.jp

'08.8

Agent