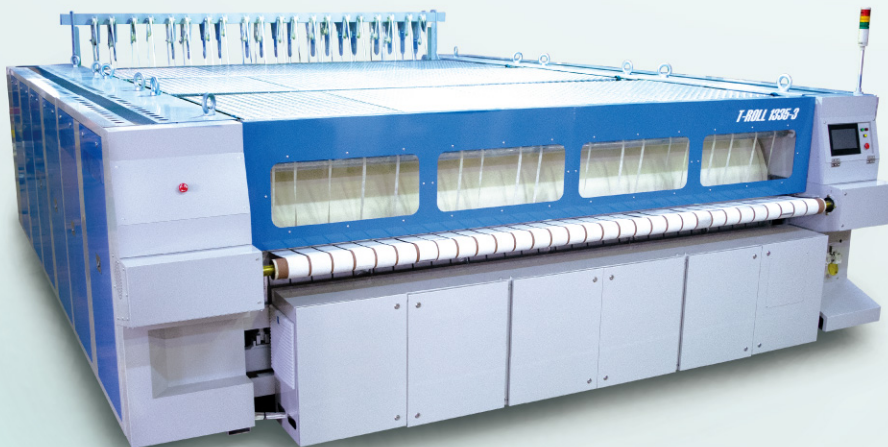


## Large Diameter Rolls make high speed finishing

Steam Ironer with Large Diameter Chest

# T-ROLL

High Power & Space saving



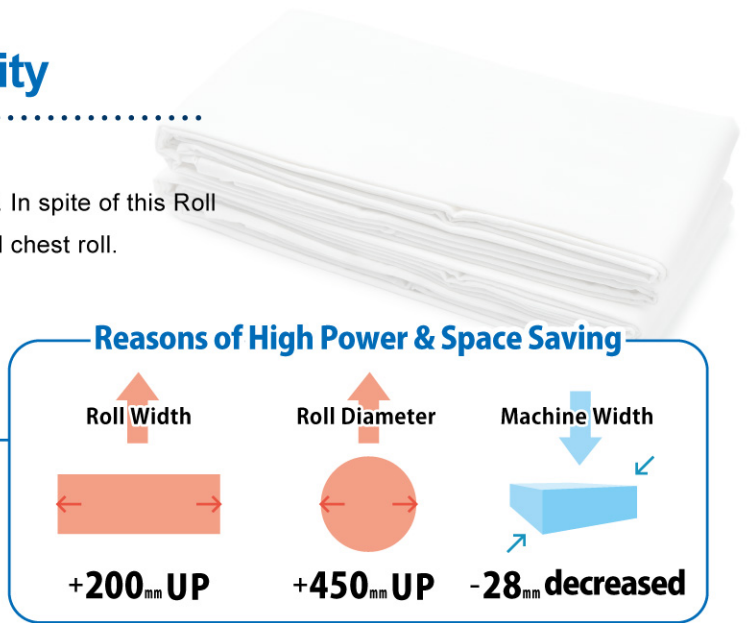


# 1 Space Saving and High Quality

Large Roll with Diameter 1,300mm improves productivity. In spite of this Roll diameter, installation area is comparable to that of typical chest roll.

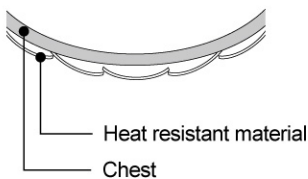
		Typical Chest Roll	T-ROLL
Roll Size	Width	3,300mm	<b>3,500mm</b>
	Diameter	850mm	<b>1,300mm</b>
Machine size	Width	4,808mm	<b>4,780mm</b>
	Depth	4,955mm	5,177mm※
	Height	1,402mm	1,660mm

※ In case of 3 Roll type



## ● Carbon Steel Chest

Employed 15mm thick Carbon Steel for Chest makes heat distribution to items even.



Temperature unevenness is unlikely to happen.

## ● Equipped Drive Motor at each Roll

Equipped Drive Motor at each Roll makes it possible to adjust each Roll individually. It makes even reversal operation possible at maintenance.



### Speed Ratio

Possible to set for each mode

### Pressure

Possible to set at each Roll

### Exhaust Blower

Possible to adjust output at each mode

Large Diameter Rolls make high speed finishing

# T-ROLL

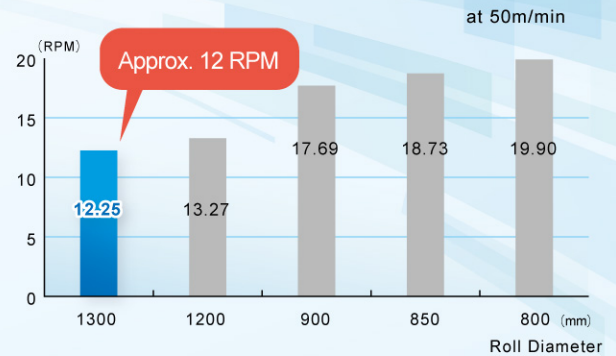
High Power

&

Space Saving

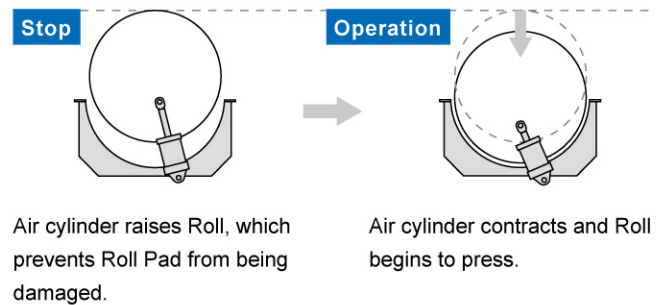
## Large Diameter Roll makes high speed finishing.

Chest Ironer with Large Diameter Roll which can process sheets at Max. 55m/min. Less rotation makes higher quality and more speedy finishing.



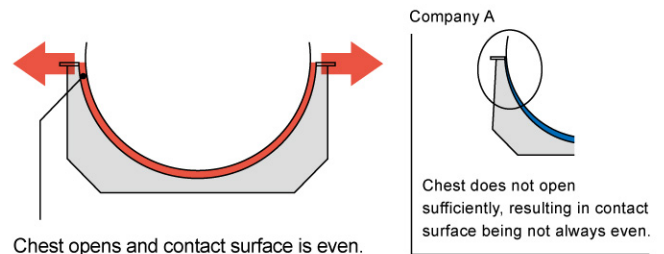
## 2 Rigid Chest with stability

Chest will firmly open at the steam pressure of approx. 0.8MPa. Contacts with an item fit snugly.



## 3 Roll fits Chest

Chest will firmly open at the steam pressure of approx. 0.8MPa. Contacts with an item fit snugly.



### ● Exhaust Blower

Exhaust Blower is equipped to exhale steam from Ironer, which improves the drying effect. Outputs can be adjustable at each Roll, allowing for optimal setting according to drying conditions.

### ● Installation of Torque Arm

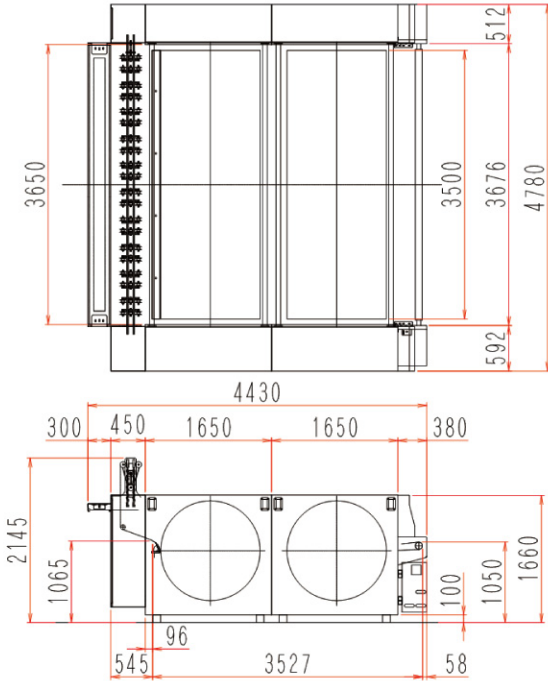
A total of 4 Torque Arms are installed on each Roll, left, right, above and beneath to receive the rotational reaction force, thereby minimizing runout and stabilizing the snug contact with Chest.

### Full range of standard equipment

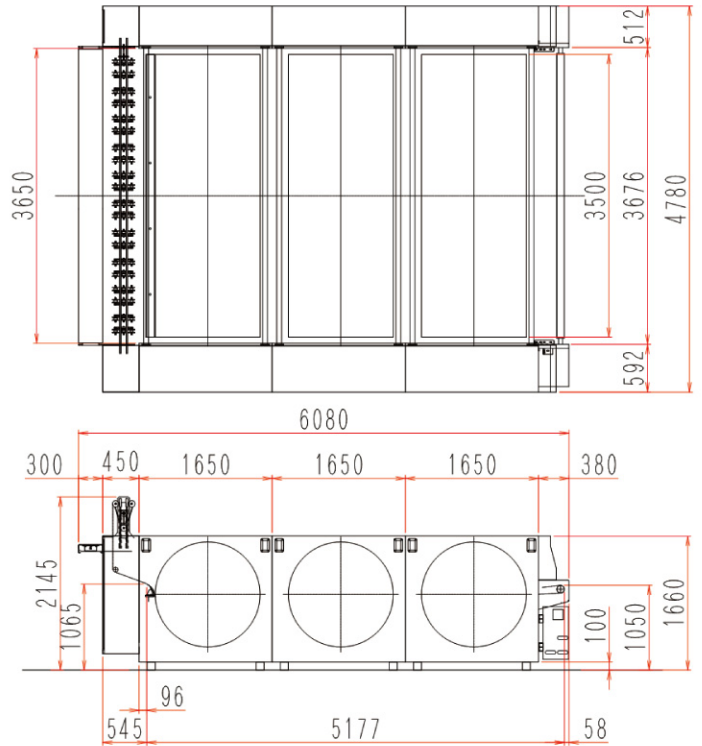
- 1 **Improved heat insulation and thermal storage effects**  
Employment of heat insulation material inside chassis
- 2 **Membrane type Steam Trap**  
For improvement of steam efficiency maximumly
- 3 **Equipped wax program**  
Equipped convenient Wax Input mode
- 4 **Remote Control for exchange of Guide tapes**  
Possible to operate on deck
- 5 **Employment of Color Touch Screen**

# Dimensions

## ● T-ROLL 1335-2S



## ● T-ROLL 1335-3S



# Specifications

Model	T-ROLL 1335-2S		T-ROLL 1335-3S	
Number of Roll	2		3	
Roll size	Diameter	1,300mm		
	Width	3,500mm		
Heat Source	Steam			
Electric consumption	17.6kw		25.85kw	
Connection Piping	In	50A		
	Out	50A		
Steam Consumption	500kg/h		780kg/h	
Dimensions	Width	4780mm		
	Depth	3,527mm	5,177mm	
	Height	1,660mm		
Weight	Approx.1,2000kg		Approx.1,7000kg	



Toto Folder Manufacturing Co., Ltd. / <https://www.totofolder.jp/>

### Head Office:

32-24 Maegami-cho, Kawaguchi-shi, Saitama-ken 333-0843 Japan  
Phone: +81-(0)48-262-2838

### Kawagoe Plant:

2-8-75 Yoshinodai, Kawagoe-shi, Saitama-ken 350-0833 Japan  
Phone: +81-(0)49-225-6125