

Towel Double-sided Inspection Device

GT-500W

High Productivity

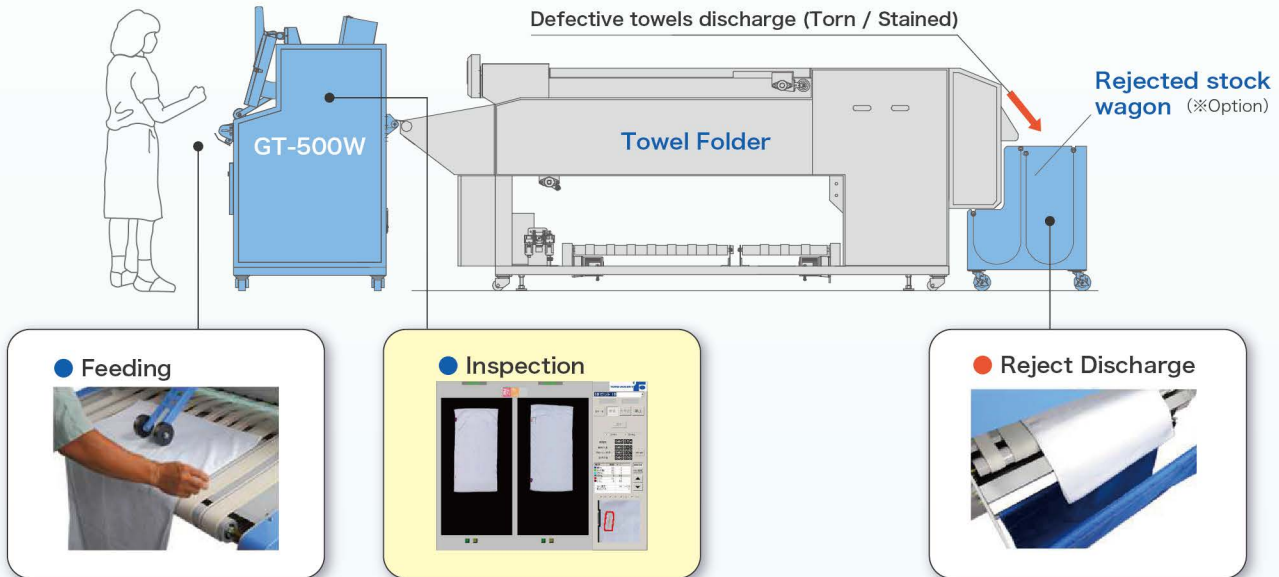
High Precision



High Productivity

Connectable to existing TOTO towel folders

Connect to an existing TOTO towel folders to perform quality inspections on white towels. Defective towels are automatically ejected from the folder.



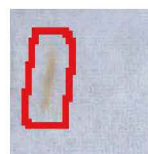
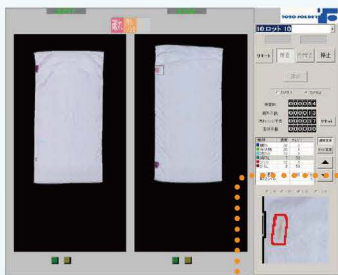
※Additional installation may be required for the reject discharge function, depending on the connected folder.
 ※The rejected stock wagon location shown is an example.

High Productivity

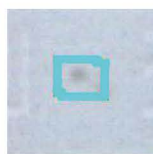
Detectable: Stains/Dirt /Tears/Fibers/Frays

Dirt, frays, and other detected defects are highlighted in color. Clear inspection standards enhance productivity.

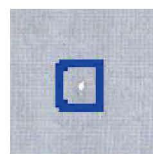
● Inspection Display



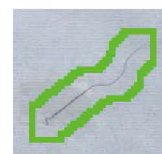
Stains (Red/Yellow)



Dirt (Black)



Tears



Fibers (e.g. hair)※1



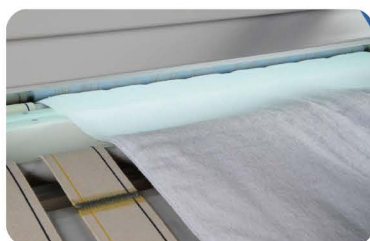
Frays※2

Boost Productivity!

※1 Fiber-like materials (e.g., human hair) may be limited by color or thickness.
 ※2 Frays are detected only when they protrude from the surface of the towel during inspection.



Even Higher Inspection Accuracy!



● Backlight (Transmitted Light) Inspection

Detect hidden dirt inside pile fabrics with backlight (Transmitted Light) inspection.

Compatible with jacquard fabrics (textured weave)



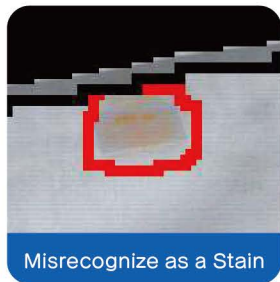
Capable of inspecting towels with jacquard patterns, including textured weaves.

High Precision

Tag Detection & Exclusion

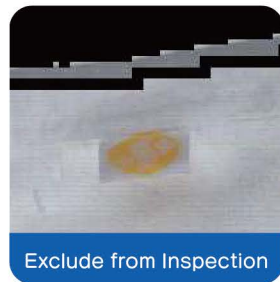
Automatically detects tags on towel hems and excludes them from inspection, regardless of orientation. No location input needed!

● without Tag Detection



Misrecognize as a Stain

● with Tag Detection



Exclude from Inspection

● Mirrorless Camera System

Directly images both sides of the towel.

High Precision

Register Up to 32 Inspection Modes

Detection settings—stains, dirt, tears, and fibers—can be customized by intensity and size. Non-inspection areas are configurable for bath and face towels.

Model	Level	Size
Tear S	35	2
Filament...	30	5
Dirt S	20	5
Dirt L	12	20
Stain S	8	5
Stain L	5	20
Reverse		

Adjustable Intensity and Size

Dust-Proof Inspection System

Cleanroom-style camera enclosure: dust-induced errors prevented.

High Precision

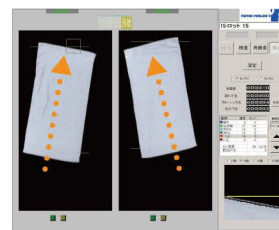
Misfeed Shape Detection

Detects misfeeds causing skewed or corner-folded towels and rejects defective items.

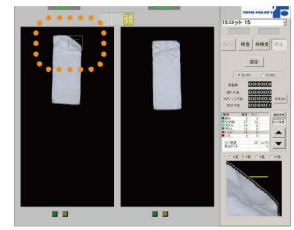
● Wrinkle Minimization

Wrinkle reduction ensures consistent inspection.

Option Rejected Stock Wagon Stores discharged items.



Skewed



Corner-folded

Other Function

Center Mask Function

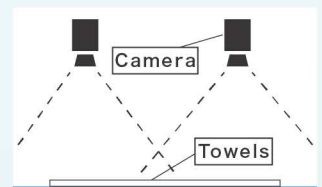
Center Mask function excludes specified areas from inspection, even for embroidered towels.

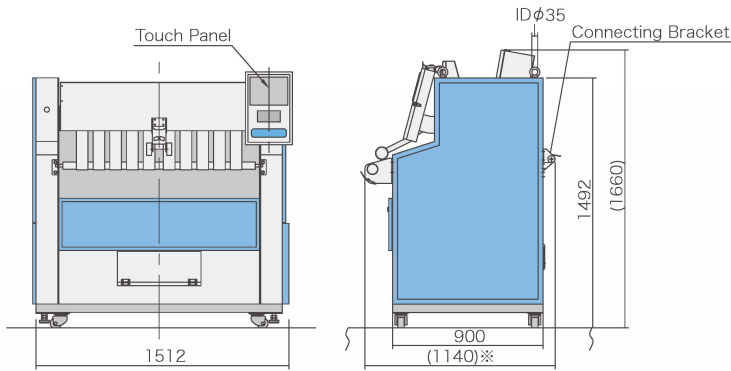


Mark areas excluded from inspection.

Compact CCD Camera Installed

Compact cameras save space and shorten machine depth.





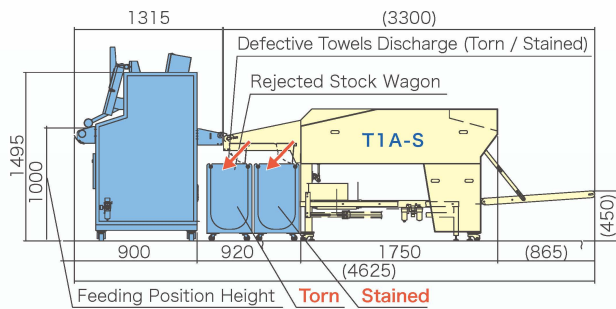
■ Specification details

Model		GT-500W
Power	Volage	AC 3 phase 200 V
	Capacity	2.5 kW
Air	Press	0.5MPa
	Cons.	100L/min
Breaker		30A
Weight		600kg

※The dimensioned drawing is for the TB-80K.

Connection Example

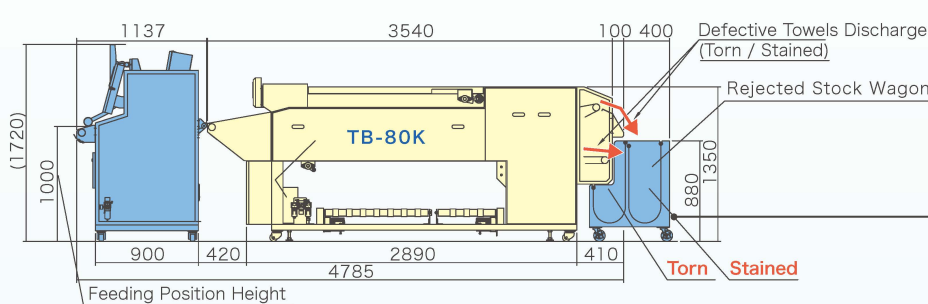
● T1A-S



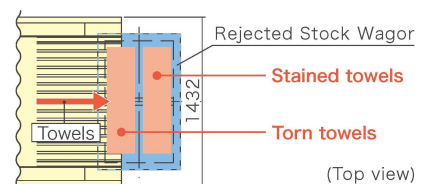
■ Target Workpiece

Max Width	1000mm
Max Length	2000mm
Inspect. Color	White

● TB-80K



● Can separate torn and stained towels during discharge



● TMF-3

